



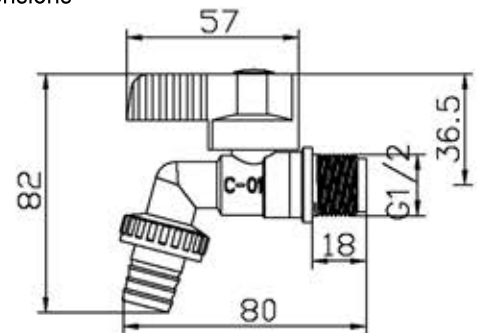
### Product Features

- User friendly design catered for everyday usage
- Solid brass body with high quality chrome finishing
- Impervious body structure capable of withstanding high volumes of use
- Child and elderly friendly

### Product Specifications

Material : Brass with Chrome Finish

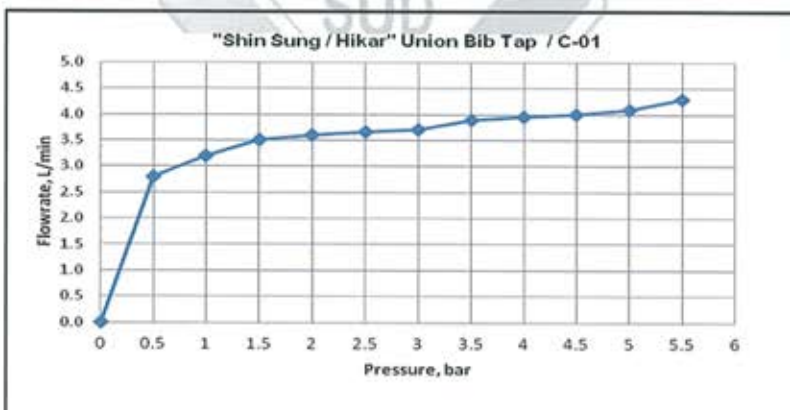
Dimensions



### Testing Report

1) Description: Union Bip Tap  
Model: C-01

| Flow Pressure ( bar ) | Flow Rate ( litres/min ) | Flow Rate Requirements for Water Efficiency Labelling | Photo |
|-----------------------|--------------------------|---|-------|
| 0                     | 0                        |   |       |
| 0.5                   | 2.8                      |   |       |
| 1.0                   | 3.2                      |   |       |
| 1.5                   | 3.5                      |   |       |
| 2.0                   | 3.6                      | Products/Fittings<br>Sink Taps & Mixers/Bib Taps      |       |
| 2.5                   | 3.7                      |   |       |
| 3.0                   | 3.7                      | 6 to 8 litres/min ( 1 tick )                          |       |
| 3.5                   | 3.9                      | 4 to 6 Litres/min ( 2 ticks )                         |       |
| 4.0                   | 4.0                      | 4 litres/min or less ( 3 ticks )                      |       |
| 4.5                   | 4.0                      |   |       |
| 5.0                   | 4.1                      |   |       |
| 5.5                   | 4.3                      |   |       |



### Water Efficiency

WELS Rating : Excellent ✓✓✓

Water Flow Rate : 3.80 Litres/ Minute

Resistration No. : SKT/BT - 2013/013094

Water Efficiency Mark

